

Fluid-o-Tech magnet drive gear pumps MGCF04S-MGCF11S DC pump/motor units



of corrosive fluids with a high degree of safety. The pump housing is available in AISI 316L, SAF 2205 or AISI 303. The gears are available in PTFE™ or Peek™.

In operation the MG200 series pumps are noiseless, pulsation-free and capable of handling relatively high temperature liquids up to 120 °C (248 °F).

The coupling with the MGCF04S, MGCF11S DC units designed for heavy duty, provides a reliable and noiseless operation in a compact size package.

The pole-to-pole alignment of the two magnets provides the driving motion to the pump. Decoupling will occur when the pump load exceeds the coupling torque between the magnets.

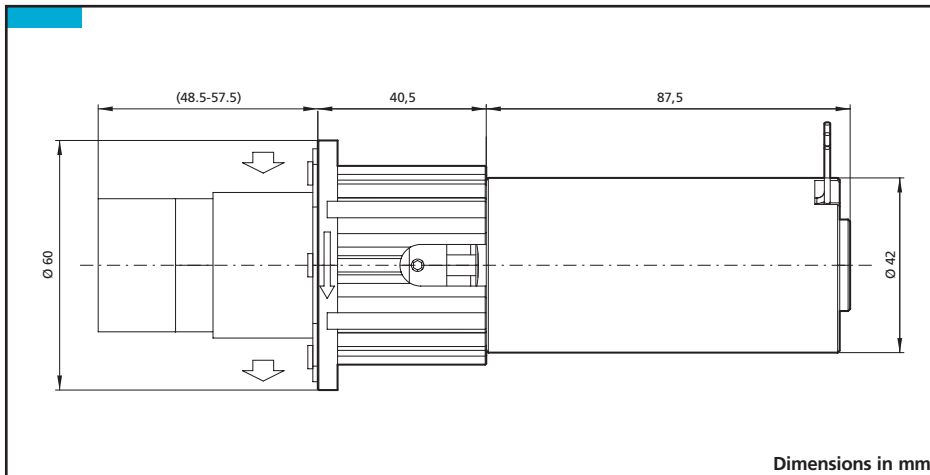
The compact precision performance pumps MG200 series are designed to fit high technology applications.

The magnet drive principle provides a totally sealed pump chamber which is capable of handling a wide range



- 1/8" NPT or GAS ports
- Relief valve available upon request
- NSF listed pumps available for potable water

MGCF04S-MGCF11S



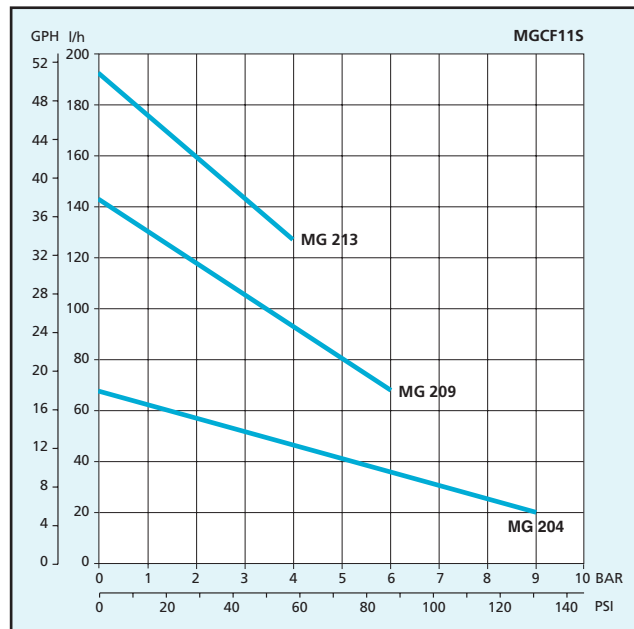
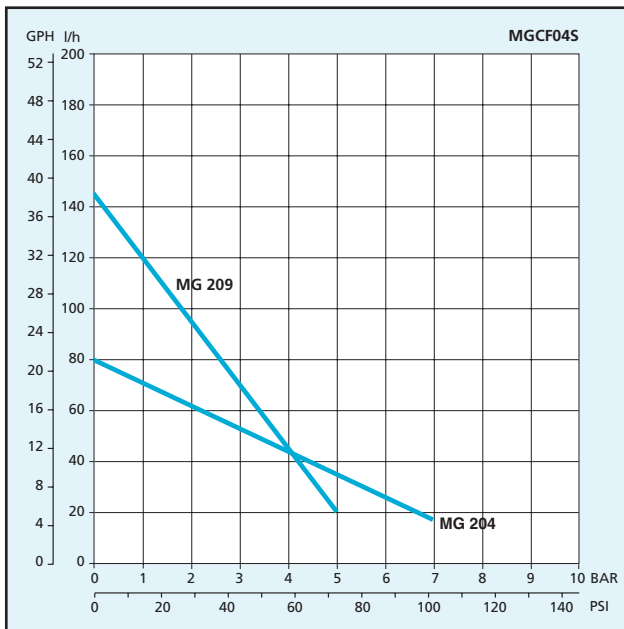
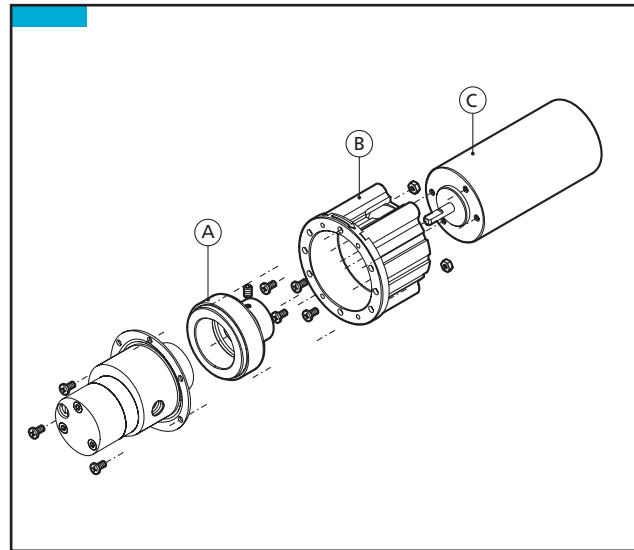
Main applications

- Medical and surgical equipment
- Hemodialysis apparatus
- Laser apparatus
- Lubrication
- Ink-jet printing systems
- Cooling systems
- Laboratory instrumentation
- Water purification and ultra-filtration
- Sampling
- Food processing equipment

Fluid-o-Tech magnet drive gear pumps MGCF04S-MGCF11S DC pump/motor units

Pos.	Description	Features	Code
A	Driving magnet	For 5 mm bore	MGAFO5S
A+B	Complete adapter	For KAG M42x30	MGBF42S
A+B+C	Complete motor assembly	12 V-25,9 W 24 V-23,6 W	MGCF04S MGCF11S

Drive type	MGCF04S	MGCF11S
Voltage (V)	12 DC	24 DC
Rated speed (rpm)	3.300	3.000
Current consumption (A)	3,4	1,5
Output power (W)	25,9	23,6
Weight (g)	500	500



Notes: Characteristics with water at 20 °C (68 °F) and without relief valve, max vacuum 724 mmHg. Use filter before pump inlet not larger than 10 micron. Pump weight: 960 g (2,12 Lbs). Temperature requirements different from ambient temperature must be mentioned on the order.

Fluid-o-Tech reserves the right to alter the specifications indicated in this catalogue at any time and without prior notice.

MGCF04S-11S – 03/09 Ed.

Fluid-o-Tech srl
Via Leonardo da Vinci, 40
20094 Corsico, Milano, Italy
Tel. +39 02 8917071
Fax +39 02 89170799

Fluid-o-Tech Int'l Inc.
161 Atwater St.,
Plantsville CT (USA) 06479
Tel. +1 (860) 276-9270
Fax +1 (860) 620-0193

Fluid-o-Tech Int'l Inc. Japan
203, 2-17-19, Ebara, Shinagawa
Tokyo 142-0063, Japan
Tel. +81 (0) (3) 3783-9660
Fax +81 (0) (3) 3783-9661

Fluid-o-Tech Asia (Beijing) Co., Ltd
Jingwei Industrial Zone,
Beifang Huairou, Beijing, 101400, PRC
Tel. +86 (0) (10) 61684650
Fax +86 (0) (10) 61684651